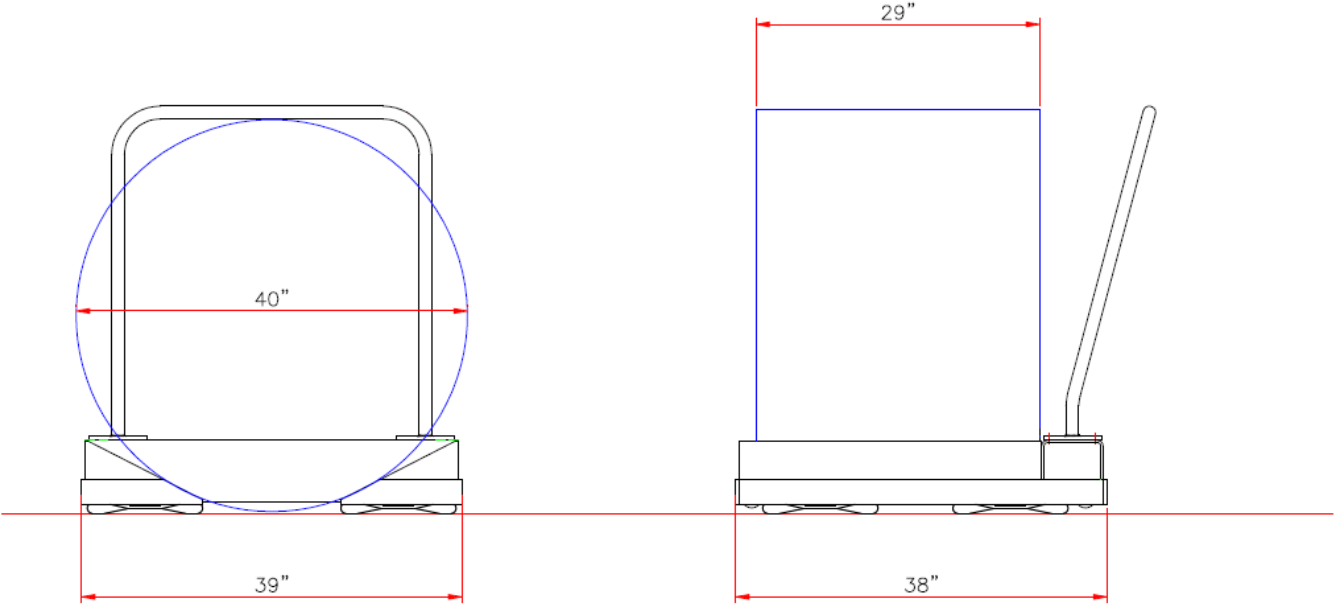


General Arrangement Drawing



ASE Systems	Name: SdR	Revision: 0
	Date: 06-11-2020	Scale: 1:1
	Description	
	R-8.8-B12NHL Air caster roll transporter	
Drawing nr.		A3